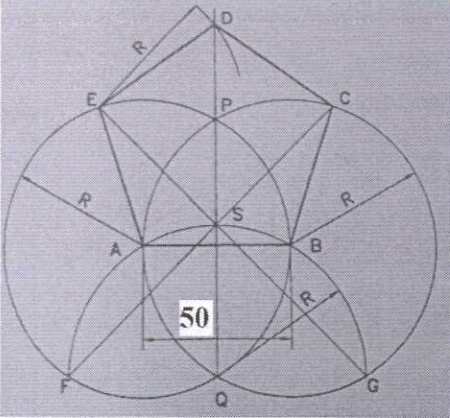
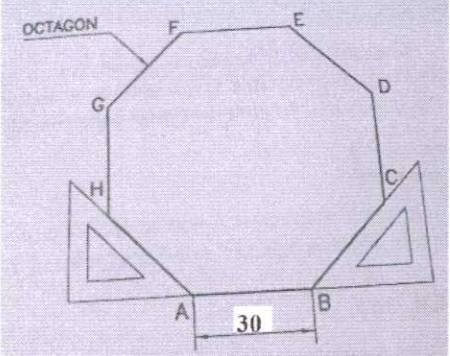


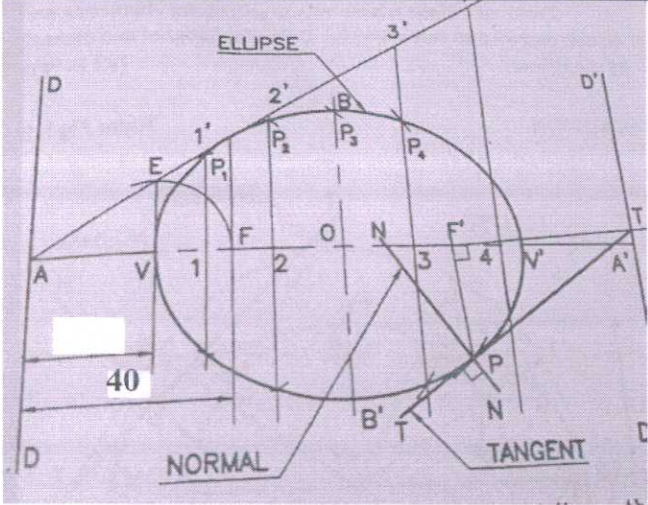
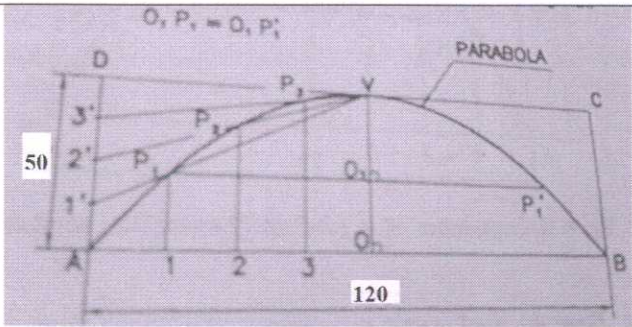
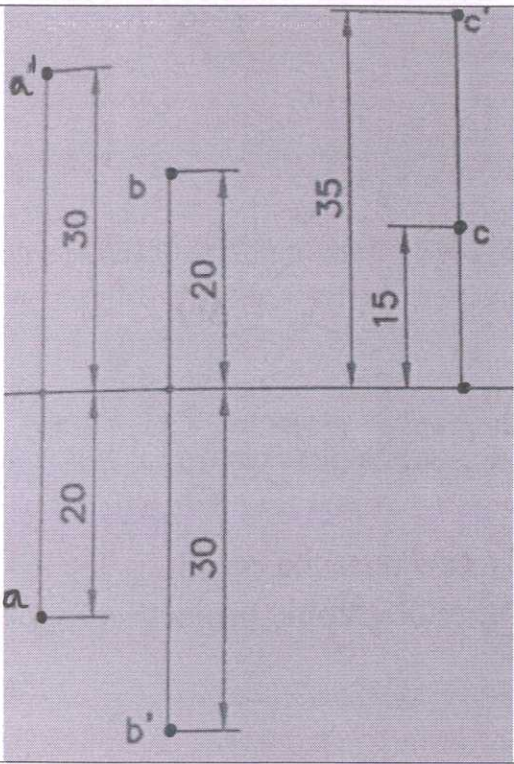
Scoring Indicators

COURSE NAME: ENGINEERING GRAPHICS

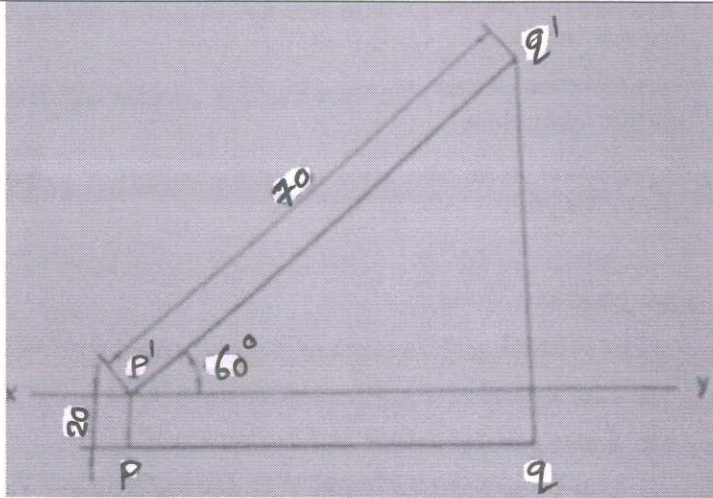
COURSE CODE: 1005

QID: 2110220186 A

Q.No	Scoring Indicators	Split score	Sub Total
PART A			5
I.1	Visible out lines, visible edges	0.5 × 2	1
I.2	Equal to one	1	1
I.3	A straight line drawn from a point on the contour of an object to the plane on which the image of the object is obtained.	1	1
I.4	It is a pictorial orthographic projection of an object on the vertical plane of projection in which the transparent cube containing the object is tilted in such a way that its three mutually perpendicular edges make equal angles with the plane of projection.	1	1
I.5	Method of preparing engineering drawings by using computer software is called Computer Aided Design and Drafting.	1	1
PART B			40
II.1		Drg. 4 Dim. 2 Labelling. 1 Neatness. 1 (using any method)	8
II. 2		Drg. 4 Dim. 2 Labelling 1 Neatness. 1 (using any method)	8

<p>II. 3</p>		<p>Drg. 6 Labelling. 1 Neatness. 1</p> <p>Normal & Tangent not required</p>	<p>8</p>
<p>II. 4</p>		<p>Drg. 4 Dim. 2 Labelling. 1 Neatness. 1</p>	<p>8</p>
<p>II. 5</p>		<p>Points 2x3 Dim 1 Neatness 1</p>	<p>8</p>

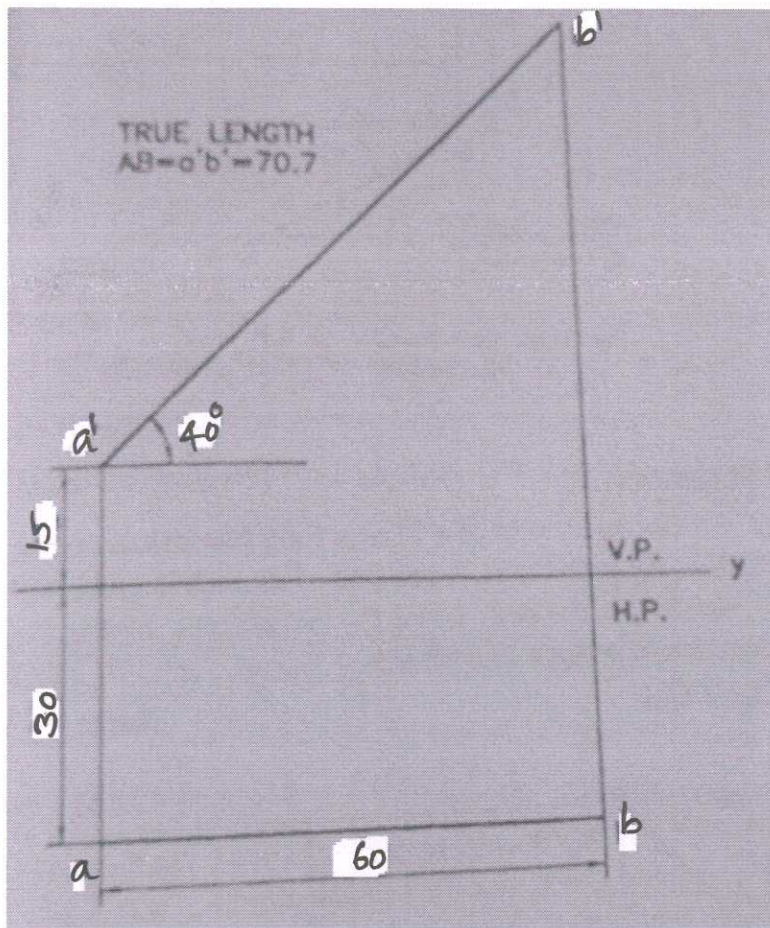
II.6



Proj 6
Dim 1
Neatness 1

8

II.7



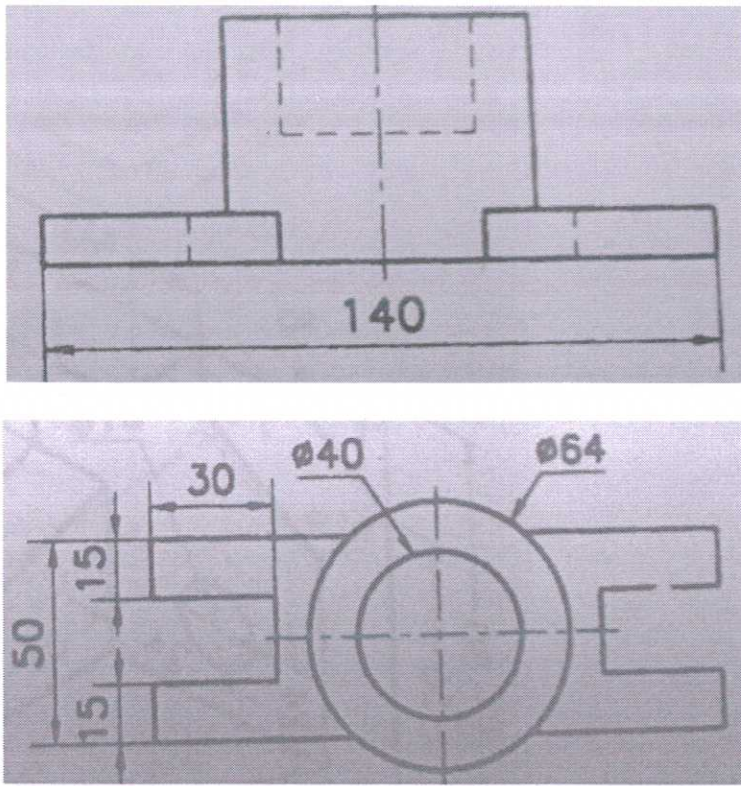
Proj 5
True length
1
Dim 1
Neatness 1

8

PART C

30

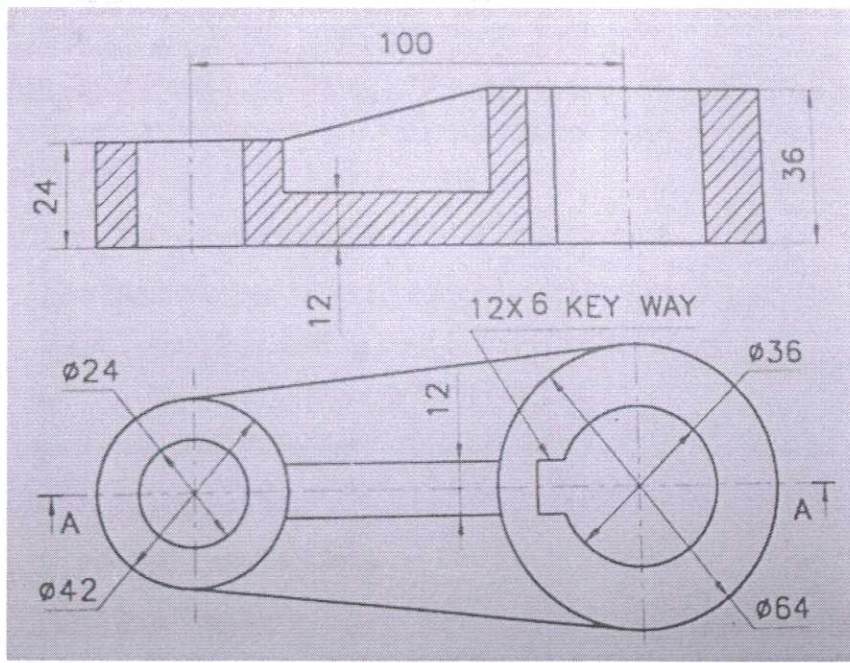
III.1



Front view 7
Top view 5
Dim 2
Neatness 1

15

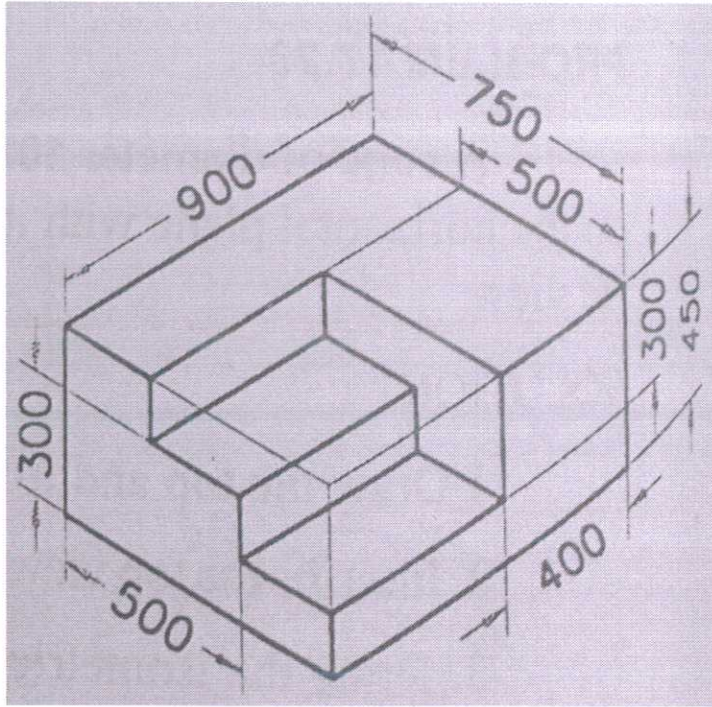
III.2



Section 7
Top view 5
Dim 2
Neatness 1

15

III.3



Isometric
view 10
Isometric
angle line
2
Dim 2
Neatness
1

15