

B

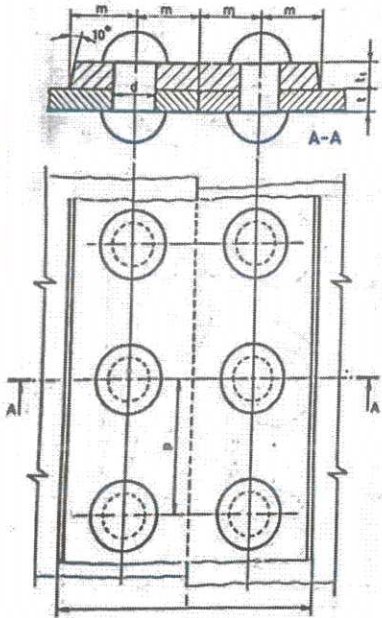
25

Scoring Indicator

Course Name: Machine Drawing REV - 2021

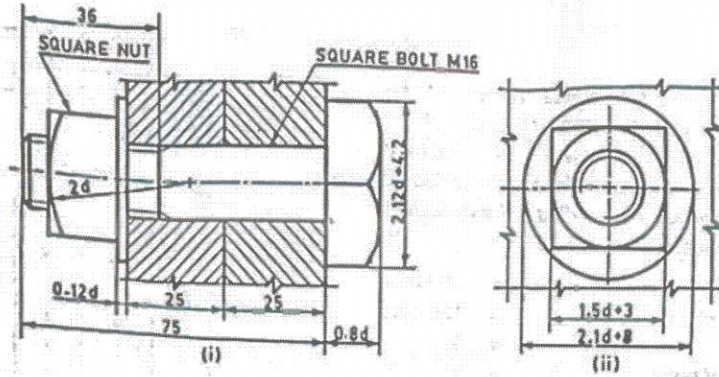
Course Code: 3025

QID: 2110220179

Q.No	Scoring Indicator	Split Score	Sub Total	Total Score
PART - A				
I.1	<p>1. Diagram</p>  <p>$t=10, d=20, m=1.5d, P=3d, l_1=1.125t$</p> <p>2. Diameter of the rivet</p> <p>3. Longitudinal Pitch</p> <p>4. Transverse Pitch</p> <p>5. Marginal Distance</p>	<p>Plan = 6</p> <p>Elevation = 6</p> <p>/</p> <p>/</p> <p>/</p>	<p>15</p>	

I.2

1. Diagram



Elevation = 10

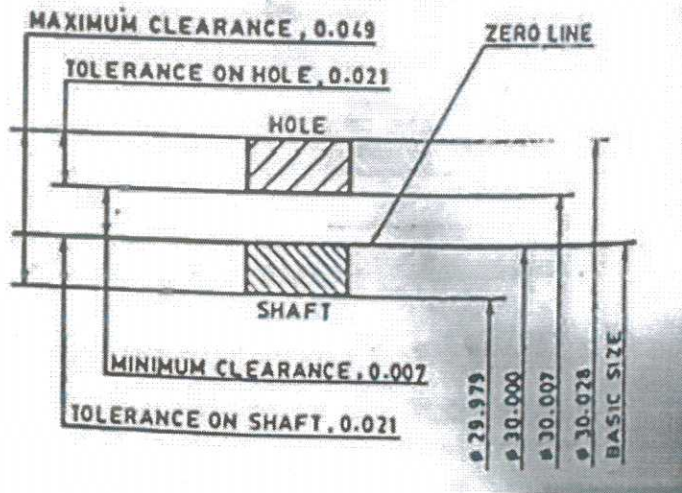
End view = 5

2. Dimensioning

2

II.1

1. Schematic Diagram



6

2. Min and Max limit of shaft

3

3. Min and Max limit of hole

3

4. Check

3

Total Tolerance = Difference in clearance

II.2

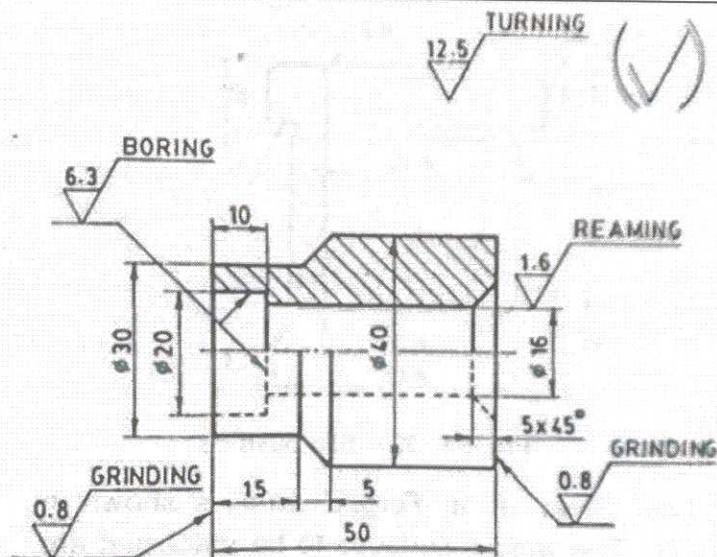
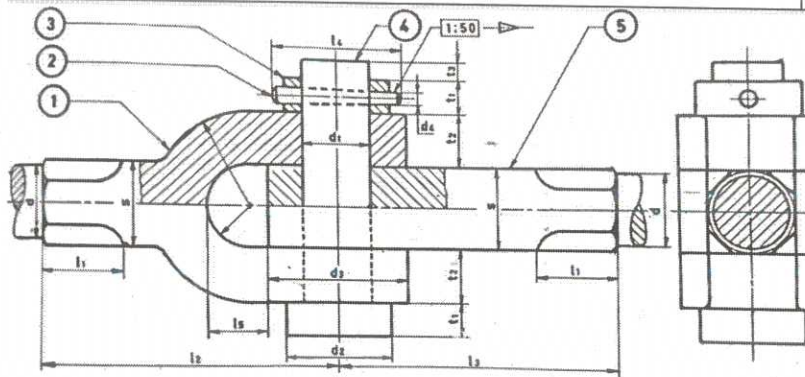


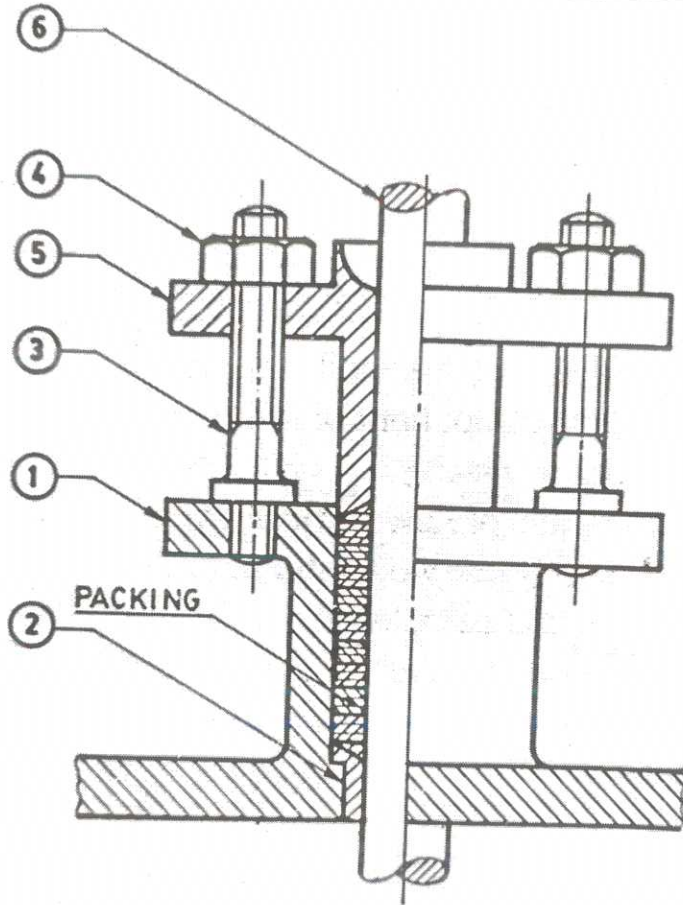
Figure - 3
Surface Finish Marking - $3 \times 4 = 12$

III.1



Elevation - 20 18
End View - 7
Item list & Marking - 65

III.2



Elevation - ~~20~~ 20
TOP VIEW - 5
Item list & Marking - 5

IV.1

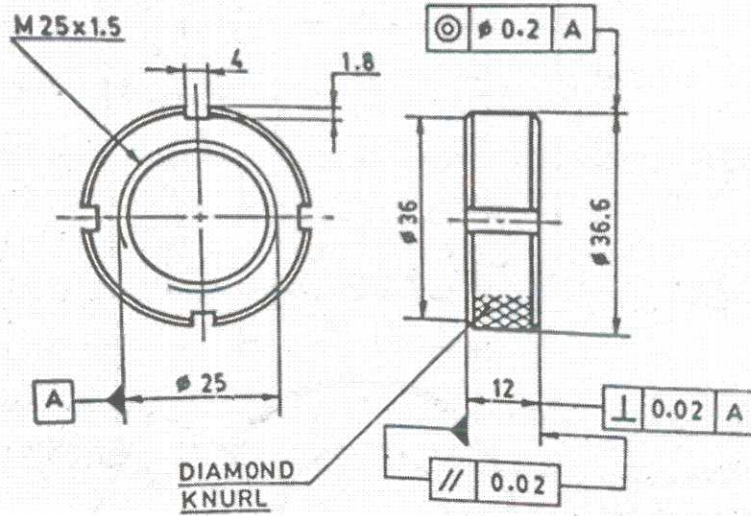
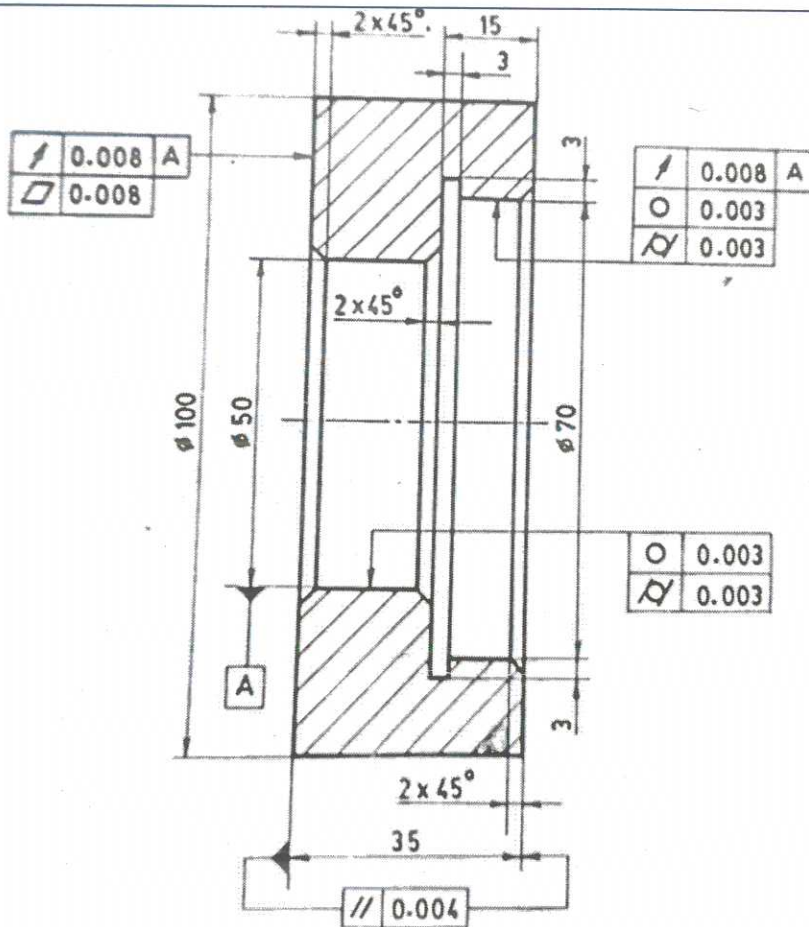


Figure - 3
Tolerance Marking - $4 \times 3 = 12$

IV.2



Geometrical Tolerance = $4 \times 3 = 12$
Fig = 3