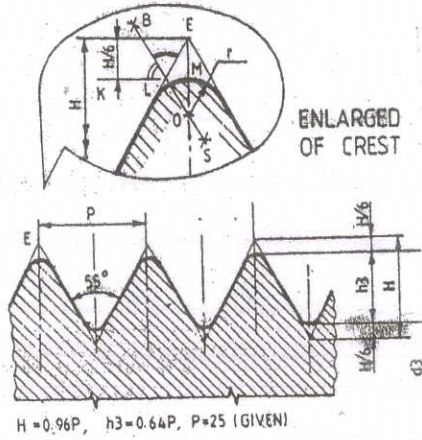


T-5

Scheme of Answers: (3024)
Machine Drawing
UNIT - I

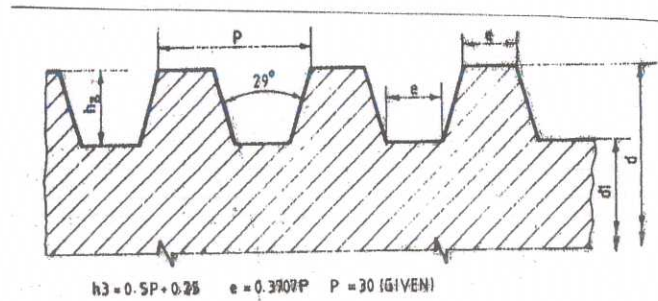
(a)



Standard Whitworth thread

Sketch with propositions — 5 Marks

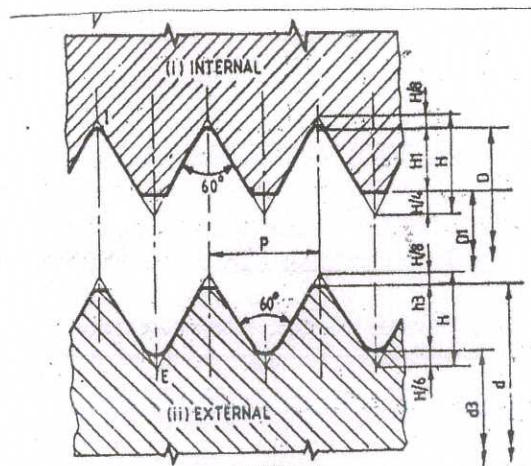
(b)



Acme thread

— 5 Marks

(c)



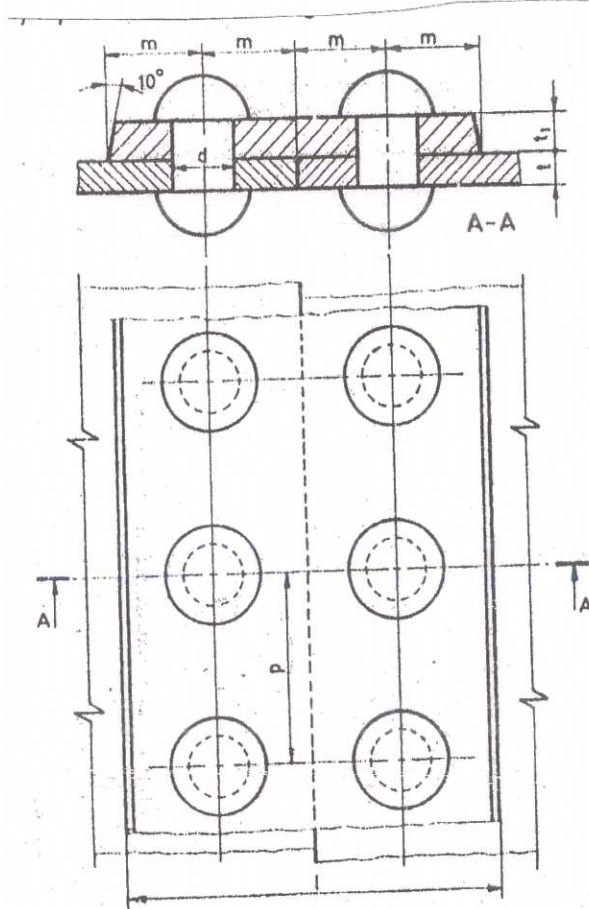
Metric thread.

→ 5 Marks

15 Marks

OR

II (a) Single Riveted Single Strap Butt-joint.



4 Marks

3 Marks

$$d = 6\sqrt{t}$$

$$l = 1.5d + 3d + 1.5$$

$$m = 1.5d$$

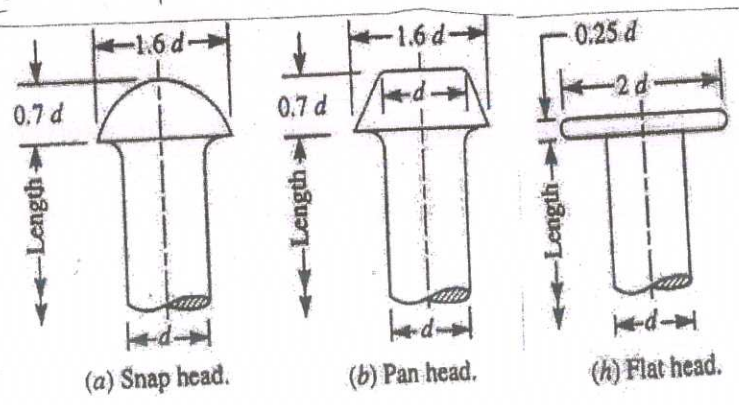
$$t_1 = 1.125t$$

(Coverstrap)

2 Marks

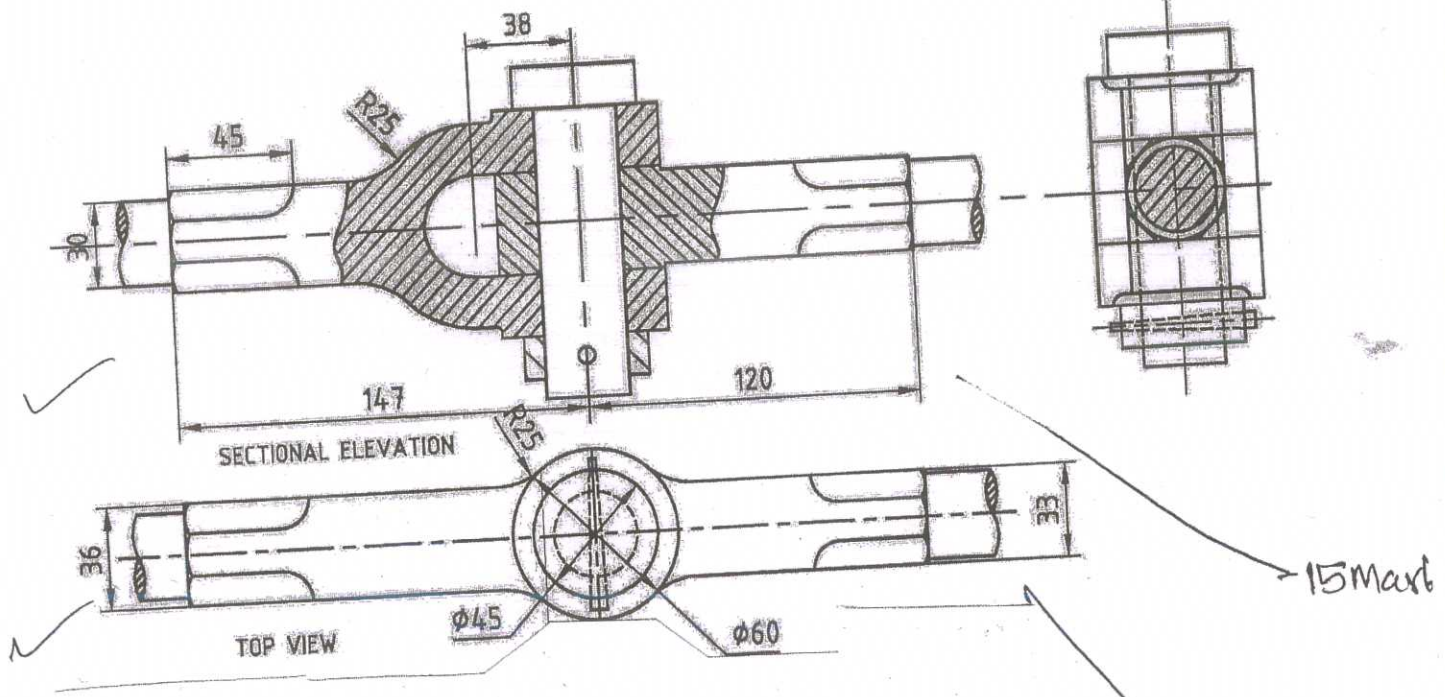
9 Marks

III (b)



3x2 Marks = 6 Marks each

UNIT - D



15 Marks

10 Marks

Proper dimensioning - 5 Marks
+ neatness

30 Marks

OR.

IV

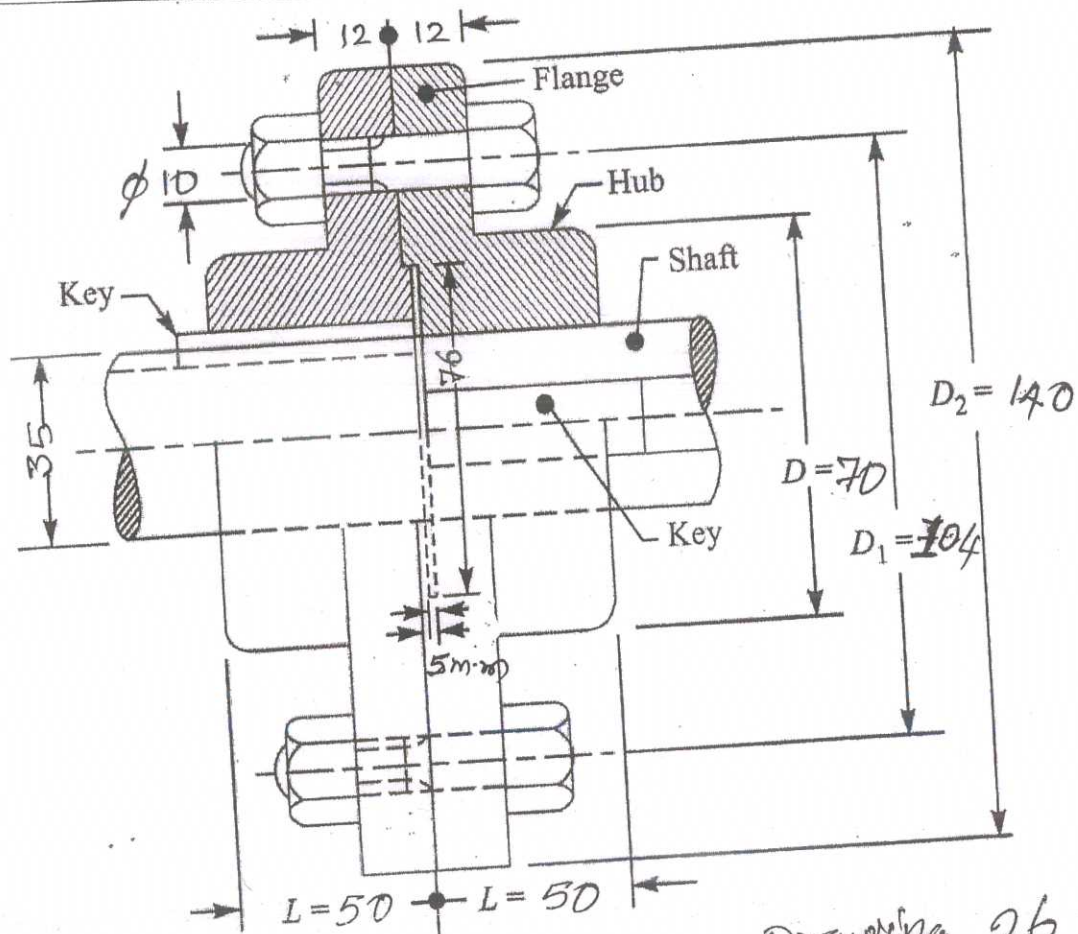
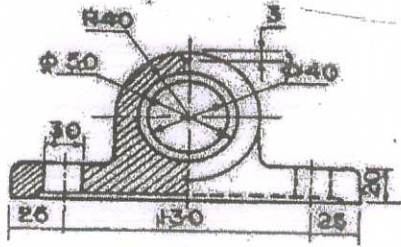
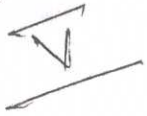


FIGURE-2

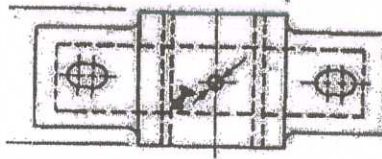
Drawing 26
 Dimensioning 04
30 Marks

key length 60 m.m.
 $W=8$ "
 $T=5$ "

UNIT - IV



17 Marks
Dimensioning 03 Marks
20 marks

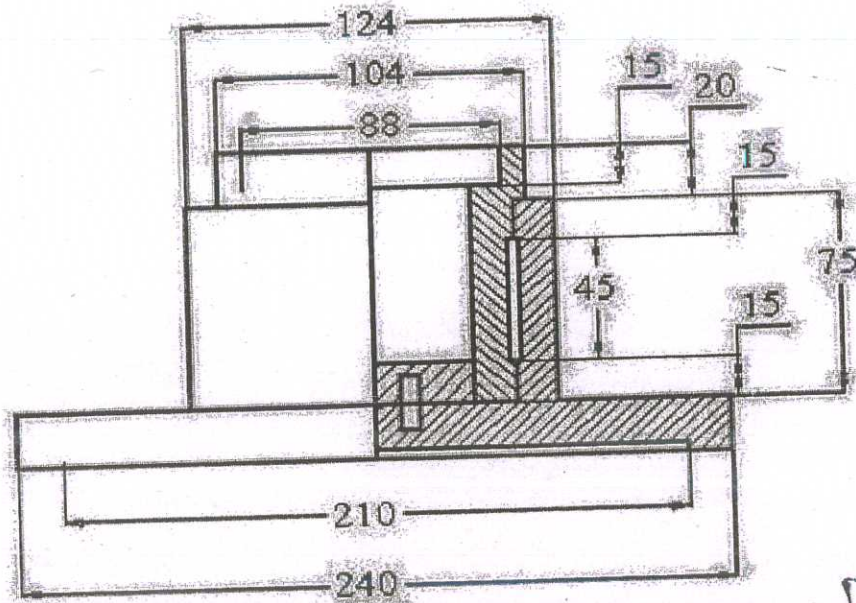


17 Marks
Dimensioning 03 Marks
20 marks

Total 40 Marks.

VI

OR



Drawing - 35 marks
Dimensioning 05 marks
Total 40 marks

VII

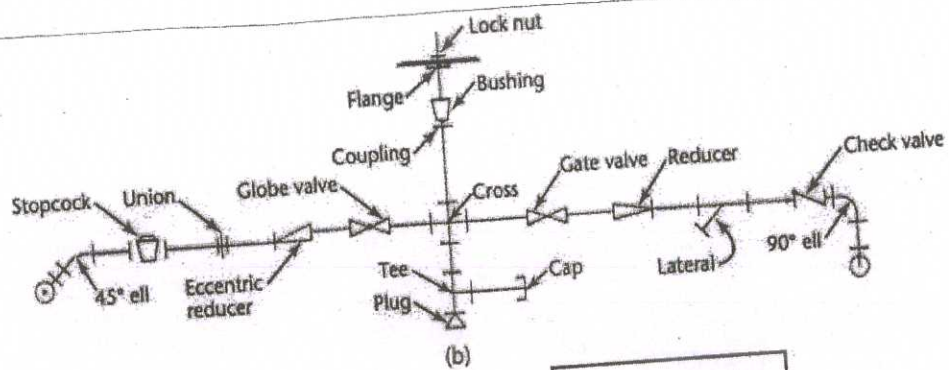
UNIT - IV

	Illustration	Symbol
(i)	Single-bevel butt weld	✓
(ii)	Single-U butt weld (parallel or sloping sides)	Y
(iii)	Fillet weld	△
(iv)	Spot weld	○
(v)	Seam weld	⊕

5 x 3 marks each = 15 Marks

OR.

VIII



Single-Line Drawing

Piping Symbols Used in:

(3 Symbols) Proper symbols and neatness

13
02
15 Marks